



# ALPHA™

## Marquee ActiveX Control

Communicate with your ALPHA™ Marquee directly from any application that supports the use of ActiveX controls including:

- Manufacturing Software such as Human Machine Interfaces (HMI)
- Business Applications such as Microsoft Excel
- Development Environments such as Visual Basic and Visual C++.

The Alpha Marquee ActiveX Control comes complete with everything you need to trigger messages, alarms and display real time information. Install, configure and use the marquee driver in minutes. The ALPHA Marquee ActiveX Control will communicate with any of the ALPHA marquees via Lan (TCP/IP) or Serially (PC COM Port).



**ALPHA 4080**



**ALPHA NEMA 12 4120**



**ALPHA 7160**

### Features

- Display real-time production statistics
- Broadcast Event/Alarm conditions
- Controls text attributes such as color, font, flashing, etc.
- Directly display your existing database messages
- All options can be set programmatically at run time
- LAN supports via TCP/IP
- Serial support via PC COM port
- Easy to install and use

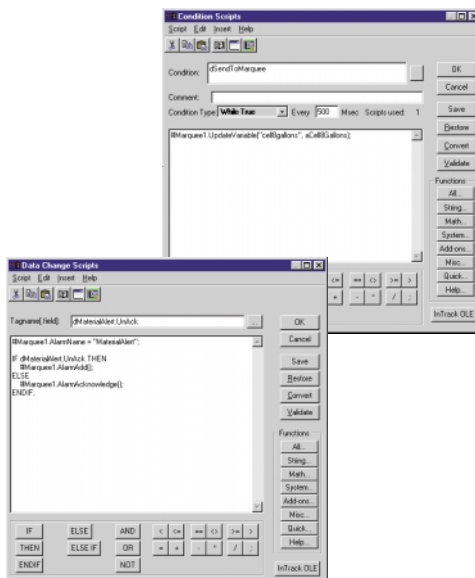
### Alarms

- Alarms can be acknowledged individually or as a group
- All alarms can be acknowledged by setting the value of a tag in your HMI
- Includes Editor to configure alarm messages
- The system can be configured to automatically acknowledge alarms as they return to normal, without operator intervention

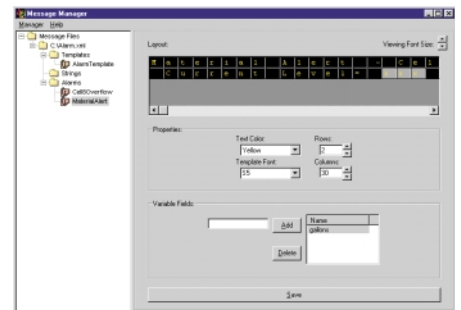
### Supported Environments

- Rockwell RSView
- GE Cimplicity
- Wonderware
- Intellution
- Visual Basic
- Visual C++
- Others Available

### Wonderware scripts



### ALPHA™ ActiveX Editor



## Configuration Methods

### Initialize

- Initializes the network connection and the marquee

### ChangeMode

- Changes the current operational mode of the Marquee (Statistics vs Alarms)

### Reset

- Sends a soft reset to the marquee display

### UpdateVariable

- Updates a variable field on the marquee

### QuickDisplay

- Sends a text string to the marquee to be displayed

### AlarmAdd

- Adds an alarm to the control's alarm display queue

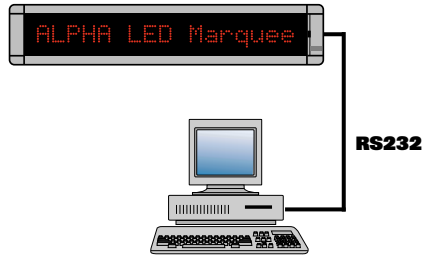
### AlarmAck

- Removes an alarm from the control's alarm queue

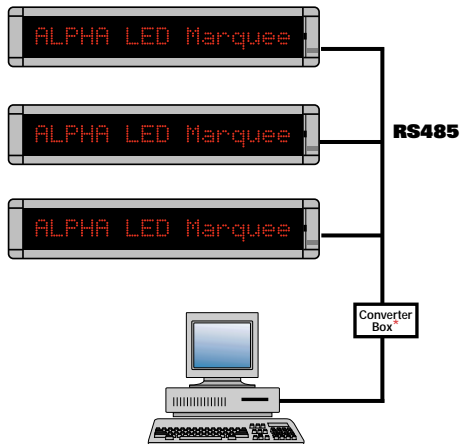
### AlarmAckAll

- Removes all alarms from the control's alarm queue

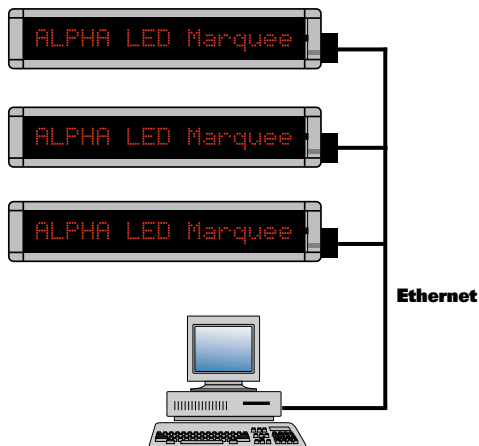
### Single Marquee Network



### Multiple Marquee Network



### LAN Network using Alpha Ethernet Adapters\*



## Network Configurations

\*The ALPHA Converter Box and Ethernet Adapter are both sold separately