

6) OLED Display



Basic features

Approval/Conformity	CE WEEE cULus UKCA
Basic standard	IEC 60947-5-2
Principle of operation	Signal amplifier
Scope of delivery	Holder
Series	SA-OH
Style	Square Straight connection

Display/Operation

Adjuster	Configuration via IO-Link button
Display	OLED Display supply voltage - LED green Output 1 active - LED yellow Output 2 active - LED yellow Alarm function - LED red Sync - LED orange
Power indicator	Green LED

Setting	Auto-Synch
	Contrast of the OLED display
	Counter mode
	Delay time
	Dynamic function
	External teach function
	Factory setting (Reset)
	IO-Link
	Light-on/dark-on
	On-/off delay
	SIO mode/IO-Link mode
	Window function/standard switching function
	Teach stat./dyn./man.
	Teach 1-Point/2-Point/dyn.
	Synchronization on/off
	Sensitivity (switch point)
	Read direction of the OLED display
	Gain
	Hysteresis

Electrical connection

Cable diameter D	3.5 mm
Connection	Connector, M8x1-Male, 4-pin
Connection 2	Sensor BOH: M8x1-Male, 3-pin
Contact, surface protection	Gold plated
Electrical version	3-/4-wire
Polarity reversal protected	yes
Protection against device mix-ups	yes
Short-circuit protection	yes

Electrical data

Input function	Emitter on/off
	Teach Sn
Load capacitance max. at Ue	100 nF
No-load current I _o max. at Ue	45 mA
Operating voltage U _b	15...30 VDC
Rated insulation voltage U _i	75 V DC
Rated operating current I _e	100 mA
Rated operating voltage U _e DC	24 V
Start-up delay for counter	0...255 s
Switching frequency	500 Hz 4 kHz (Superfast Mode)
Turn-off delay t _{off} max.	1 ms
Turn-on delay t _{on} max.	1 ms
Utilization category	DC -13
Voltage drop U _d max. at I _e	2 V

Environmental conditions

Ambient temperature	-5...55 °C
Contamination scale	3
EN 60068-2-27, Shock	Half-sinus, 30 g _n , 11 ms, 3x6
EN 60068-2-6, Vibration	10...55 Hz, 1 mm, 5 min
IP rating	IP54

Functional safety

MTTF (40 °C)	45 a
--------------	------

IO-Link

IO-Link Profil IDs	0x0001 SSP0
IO-Link function classes	0x8000 Device Identification 0x8001 Binary Data Channel 0x8002 Process Data Variables 0x8004 Teach Commands 0x8100 Extended Identification
Supported IO-Link Profiles	Common Profile Legacy Smart Sensor Profile

Interface

Baud rate	COM3 (230,4 kBaud)
Duration of time function	0...10000 ms
Interface	IO-Link 1.1
Switching output	2x PNP/NPN/push-pull NO/NC Programmable
Time function	On/off delay time programmable Single pulse

Material

Housing material	PC PA 12
------------------	-------------

Mechanical data

Dimension	12 x 40.1 x 80.5 mm
Mounting part	DIN EN-50045 rail 15 mm DIN EN-50022 rail 35 mm Screw M3 (2x)

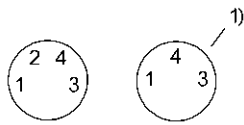
Optical features

Principle of optical operation	depends on sensor head
Switching function, optical	dark-on/light-on

Range/Distance

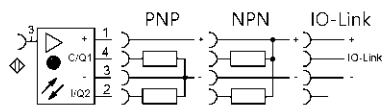
Range	depends on sensor head
-------	------------------------

Connector Drawings

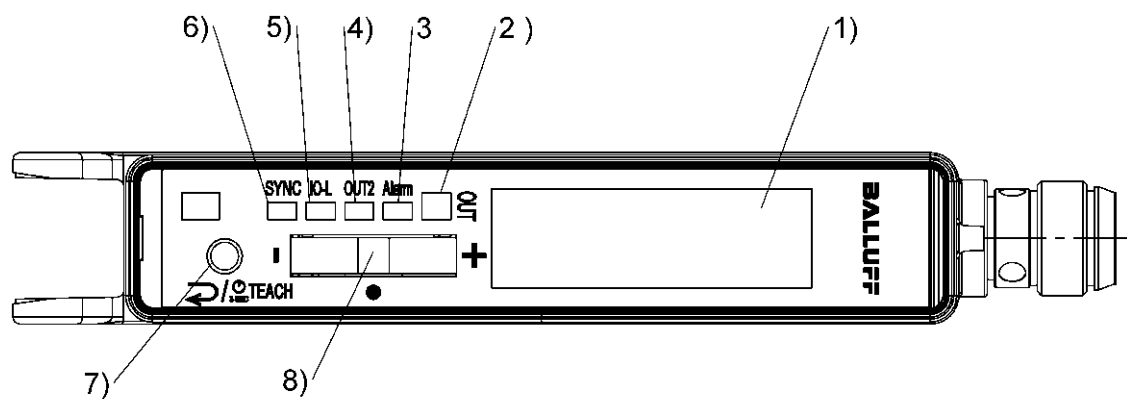


1) Sensor connection

Wiring Diagrams



Help Views



- 1) Display
- 2) Status-LED OUT
- 3) Status-LED Alarm
- 4) Status-LED OUT2
- 5) Status-LED IO-L
- 6) Status-LED SYNC
- 7) Return-/ Fast-Teach Button
- 8) Jog-Switch